

◆ Features / 功能 :

Modular actuators easy for wide range assemble. 多種類頭部設計，可以靈活性交換。
 Use a miniature built-in positive opening switch. 內建強制脫離開關。
 Housing material prevent from Acid & alkaline corrosion. 外殼材質可防酸防鹼的腐蝕。
 Oil-tight, water-resistant for IP67. 油密型、水密型 IP67。
 Excellent operation but low cost. 高特性、低成本。



Cable length 電纜長度與規格

1 M = 1 1 M UL = 1L (UL 規格)
 2 M = 2 2 M UL = 2L (UL 規格)
 3 M = 3 3 M UL = 3L (UL 規格)

ELECTRICAL RATING 額定
5A 250VAC

Cable Type 電纜種類

SVT Cable (UL approved)

◆ M4CZ CHARACTERISTICS / 特性表

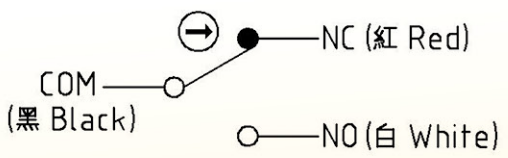
Operating temperature	-20°C ~70°C (without freezing)
Humidity	95% RH Max
Operating frequency	Mechanically: 120 operations/min. Electrically: 30 operations/min.
Contact resistance	300mΩ/Max. (initial with 3m cable)
Insulation resistance	100MΩ/Min.(500VDC)
Dielectric strength	Between non-continuous terminals: 1000Vac 50/60Hz 1minute. Between each terminal and non-current carrying metal part and between each terminal and ground: 1500VAC 50/60Hz, 1 minute.
Vibration	Malfunction durability: 10~50Hz , 1.5mm double amplitude
Service life	Mechanically: 2,000,000 operations min.(Positive opening)
	Electrically: 500,000 operations min.(1.5A,110VAC)Max.
Protection Degree	IEC: IP67

► M4CZ Series

◆ ELECTRICAL RATING / 額定值

1.5A 250 VAC
0.4A 125 VDC

◆ CIRCUITRY / 電氣回路



M4CZ系列(Positive Opening/強制脫離)



◆ Cable Type 電纜種類 ; Cable length 電纜規格、長度

VCTF Cable

SVT Cable (UL approved)

2	→2m	3	→3m
2L	→2m	3L	→3m (UL approved)

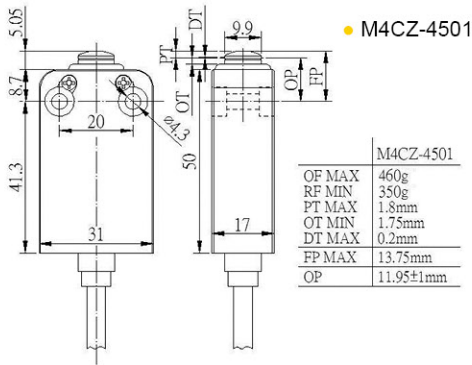
◆ 成品圖



ORDER GUIDE

DIMENSIONS (mm)

OPERATING CHARACTERISTICS



DIMENSIONS (mm)

OPERATING CHARACTERISTICS

