

## ▶ MEA SERIES MINI LIGHT LIMIT SWITCHES

### ◆ FEATURES/功能

- Total plastic enclosure, light weight switches. / 塑膠外殼重量輕
- Wide choice of heads and actuators. / 可配合各種不同之連桿及頭
- Captive cover screws. / 接線頭具帽式覆蓋螺絲
- Mode of operation is field adjustable. / 可調式
- Dustproof, Oil-Tight, Water-Resistant. / 防塵、防油、防水
- 2 circuits: 1 N.O., 1 N.C. contacts design. / 雙迴路1 N.O., 1 N.C.設計
- Tempe. range +5°F to +160°F (-15°C to +70°C). / 適用溫度

### ◆ FIELD ADJUSTABLE

Rotary motion roller lever and rod actuators are adjustable through 360°. They may be set for operation clockwise, counter-clockwise, or in both directions. Operating heads may be positioned in any of four 90° and four 45° positions.

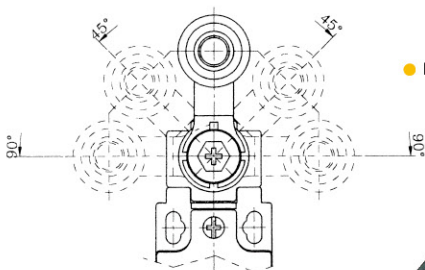
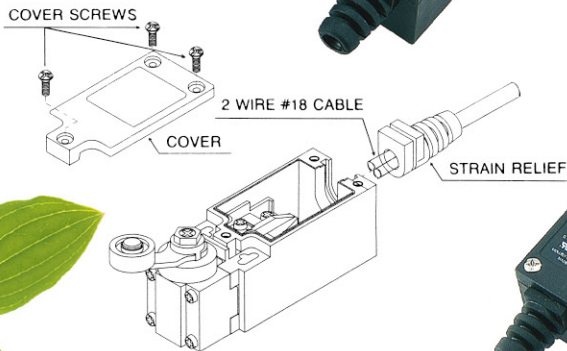
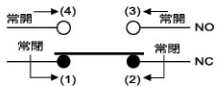
### ◆ EASY WIRING

1. Loosen cover screws and remove cover.
2. Remove rubber strain relief from switch cover.
3. Slip strain relief cover cable.
4. Fasten terminal screws tightly after inserting cables or terminals.
5. After wiring, insert strain relief into the groove of the switch cover.
6. Fasten 3 cover screws evenly. Do not over tighten.
7. Recommended Cable- # 18/2 SJT Flexible.

### ◆ RATING/額定

6A	125 or 250V AC
0.4A	125V DC

### ◆ CIRCUITRY/電氣回路



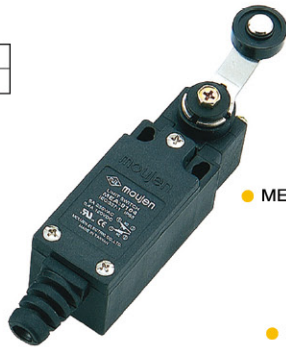
FIVE OPERATING POSITIONS AVAILABLE



● MEA-9111

### ◆ CHARACTERISTICS/特性

Operating speed	0.5mm to 50cm/sec
Operating frequency	Mechanically: 120 operations/min. Electrically: 30 operations/min.
Contact resistance	15m Ω max. (initial)
Insulation resistance	100M Ω min. (at 500 V DC)
Dielectric strength	1,000 VAC, 50/60 Hz for 1 minute between non-continuous terminals 1500 VAC, 50/60 Hz for 1 minute between each terminal and non-current carrying metal part and between each terminal and ground
Vibration	Malfunction durability: 10 to 55Hz; 1.5mm double amplitude
Shock	Mechanically durability: Approx. 1,000m/sec <sup>2</sup> (approx. 100G's) Malfunction durability: Approx. 300m/sec <sup>2</sup> (approx. 30 G's)
Ambient temperature	Operating: -15°C to +70°C
Humidity	95% RH max
Service life	Mechanically: 10,000,000 operations min Electrically: 500,000 operations min, (2A, 110VAC) MAX.
Degree of protection	IEC 529 class IP65



● MEA-9104



● MEA-9108-L



● MEA-9107



● MEA-9111-P



● MEA-9104-L



● MEA-9108

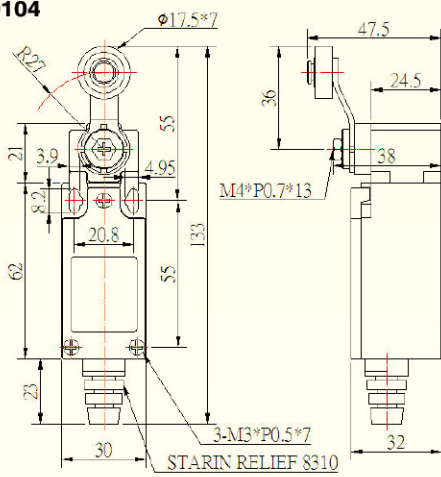


● MEA-9104G

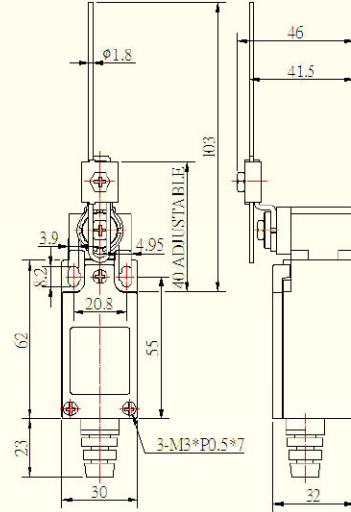
# ORDER GUIDE

## DIMENSIONS (mm)

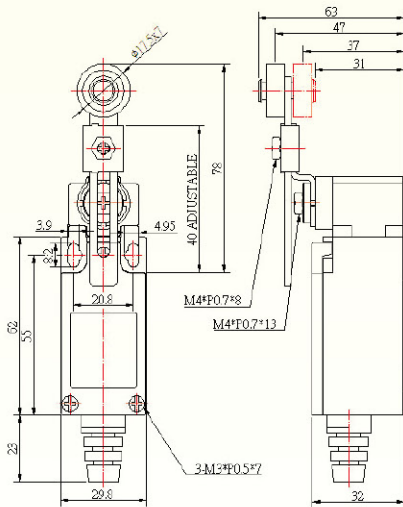
### ● MEA-9104



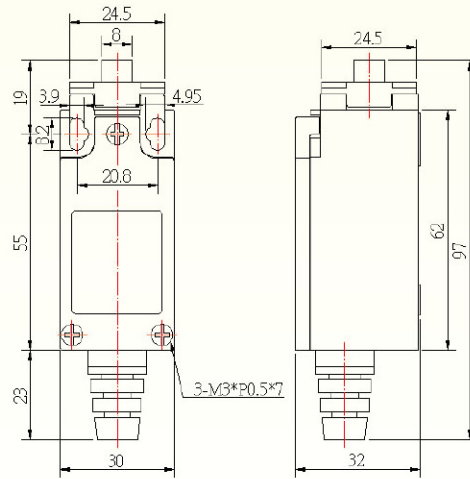
### ● MEA-9107



### ● MEA-9108



### ● MEA-9111



## OPERATING CHARACTERISTICS

	MEA-9104
OF MAX	300g
RF MIN	100g
PT MAX	20°
OT MIN	50°
DT MAX	12°
TT MIN	70°

	MEA-9108
OF MAX	100g
RF MIN	40g
PT MAX	20°
OT MIN	50°
DT MAX	12°
TT MIN	70°

	MEA-9107
OF MAX	100g
RF MIN	40g
PT MAX	20°
OT MIN	50°
DT MAX	12°
TT MIN	70°

	MEA-9111
OF MAX	500g
RF MIN	150g
PT MAX	2.0mm
OT MIN	4.0mm
DT MAX	10mm
TT MIN	5mm



## ▶ MEA SERIES MINI LIGHT LIMIT SWITCHES

### ◆ ORDER GUIDE

● Standard type (Nylon Plastic roller) : 標準型 (尼龍塑膠滾輪)

MEA-9104	MEA-9107	MEA-9108	MEA-9111	MEA-9112-P
MEA-9122-P	MEA-9161	MEA-9166	MEA-9169	

● Flat tail (G) type: 平底 (G)型

MEA-9104G	MEA-9107G	MEA-9108G	MEA-9111G	MEA-9112G-P
MEA-9122G-P	MEA-9161G	MEA-9166G	MEA-9169G	

● Ø50mm rubber's roller(Custom made): 50mm橡膠滾輪 (訂製品)

MEA-9104-L	MAE-9108-L
------------	------------

● Plastic head or roller type(Teflon, custom made): 塑膠頭部或滾輪(鐵氟龍, 訂製品)

MEA-9111-P	MEA-9112-PT	MEA-9122-PT
------------	-------------	-------------

● High rigidity plastic head(Custom made): 高剛性塑膠頭部(訂製品)

MEA-9112-HP	MEA-9112G-HP	MEA-9122-HP
-------------	--------------	-------------

● Metal roller type(Custom made): 金屬滾輪(訂製品)

MEA-9112	MEA-9122
----------	----------

● Pre-Cable type (Custom made): 預附電纜型式 (訂製品)

MEA-9104A-□	MEA-9107A-□	MEA-9108A-□	MEA-9111A-□	MEA-9112A-□
MEA-9122A-□	MEA-9161A-□	MEA-9166A-□	MEA-9169A-□	

\* wiring in □ M cable/ 附 □ 米電纜線

### ◆ "G" type: Flat tail.平底型



● MEA-9104 G

#### NOTE:

1. Not for use in inflammable or explosive atmospheres.
2. "G" series is equipped without rubber bushing
3. PF1/2"

### ◆ Pre-cable type: 預附電纜型式



● MEA-9104A-□



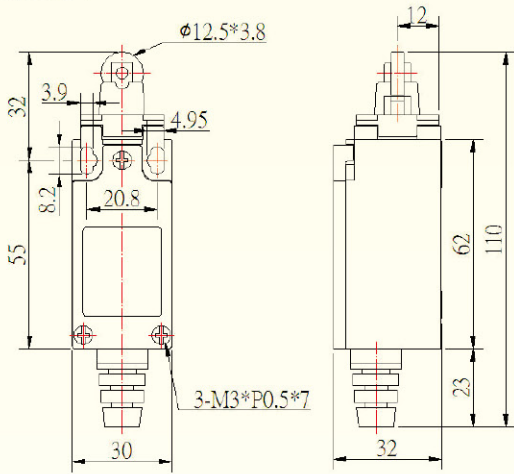
● MEA-9112G-HP



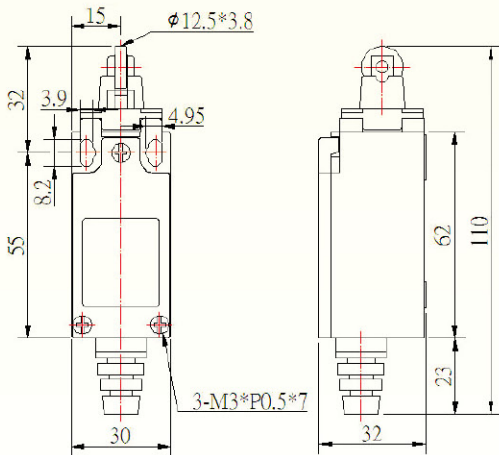
# ORDER GUIDE

## DIMENSIONS (mm)

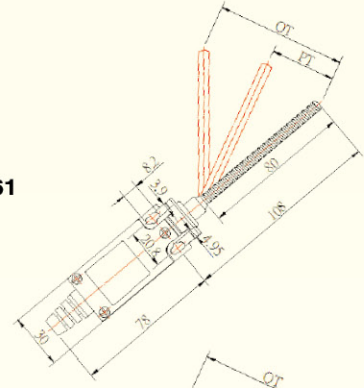
### ● MEA-9112



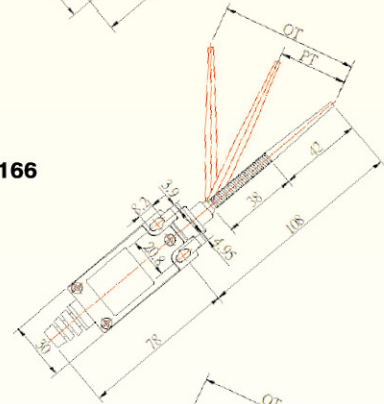
### ● MEA-9122



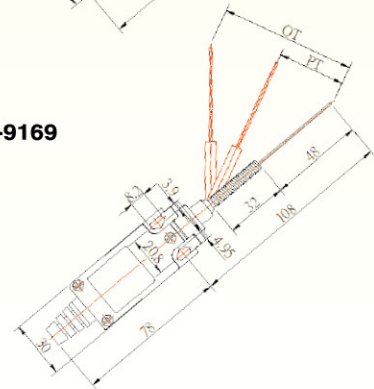
### ● MEA-9161



### ● MEA-9166



### ● MEA-9169



## OPERATING CHARACTERISTICS

	MEA-9112
OF MAX	500g
RF MIN	150g
PT MAX	2.0mm
OT MIN	4.0mm
DT MAX	1.0mm
TT MIN	5mm

	MEA-9122
OF MAX	500g
RF MIN	150g
PT MAX	2.0mm
OT MIN	4.0mm
DT MAX	1.0mm
TT MIN	5mm

	MEA-9161
OF MAX	60g
RF MIN	-
PT MAX	25°
OT MIN	50°
DT MAX	-
TT MIN	70°

	MEA-9166
OF MAX	60g
RF MIN	-
PT MAX	25°
OT MIN	50°
DT MAX	-
TT MIN	70°

	MEA-9169
OF MAX	60g
RF MIN	-
PT MAX	25°
OT MIN	50°
DT MAX	-
TT MIN	70°