

▶ MJ1 SERIES ENCLOSED LIMIT SWITCHES

◆ FEATURES/功能

- Side mount switches. / 側邊固定式
- Momentary contacts. / 接點敏捷
- Level or plunger operation. / 衝壓或連桿式操作
- Regular or sealed operating heads. / 一般或密封式頭
- Completely sealed construction. / 輔助式密封結構
- 1/2" conduit entry, captive cover screws. / 接線頭使用帽式螺絲
- Dustproof. Oil-Tight, Water-Resistant. / 防塵、防油、防水
- Temperature range +15°F to +175°F (-10°C to +80°C). / 適用溫度
- PF1/2"



● MJ1-6107

◆ CHARACTERISTICS/特性

Operating speed	速度	0.01mm to 1m/sec
Operating frequency	頻率	Mechanically: 240 operations/min. Electrically: 20 operations/min.
Contact resistance	接觸電阻	15m Ω max. (initial)
Insulation resistance	絕緣電阻	100M Ω min. (at 500 VDC)
Dielectric strength	耐壓	1,000 VAC, 50/60 Hz for 1 minute between non-continuous terminals
		2,000 VAC, 50/60 Hz for 1 minute between current-carrying part and ground
Vibration	震動	Malfunction durability: 10 to 55Hz 1.5mm double amplitude
Shock	衝擊	Mechanical durability: Approx. 1,000m/sec ² (approx. 100G's)
		Malfunction durability: Approx. 300 m/sec ² (approx. 30 G's)
Ambient operating temperature	溫度	Operating: -10°C to +80°C
Humidity	濕度	General purpose type: 85% RH max
		Sealed type: 95% RH
Service life	壽命	Mechanically: 20,000,000 operations min
		Electrically: (1.7A, 110VAC) MAX 500,000 operations min.
Degree of protection	防水	Ip65

MJ-1 side mount switches are offered with or without actuator seal boots. Both have a combination insulator/seal cemented inside the bottom enclosure. Lead washers are used to seal the mounting holes on side mount switches.

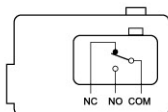
The elastomer boot on sealed actuator versions and cover seal on all switches protect the actuating mechanism and the internal basic switch from contaminations.

All side mount switches are in stalled with M4 screws. Removal of the bottom enclosure exposes the terminals for easy wiring.

◆ RATING/額定

- 15A 125, 250V AC
- 1/8HP 125V AC, 1/4HP 250V AC
- 1/2A 125V DC, 1/4A 250V DC

◆ CIRCUITRY/電氣回路



◆ ORDER GUIDE

MN - □	
1 2	
①基本型號 Series name	MJ1 : 限位開關 Limit switches
	6101 : 按鈕押扣型 Plunger
	6102 : 單滾輪按鈕型 Roller plunger
	6102R : 橫向單滾輪按鈕型 Cross roller plunger
	6104 : 單滾輪押扣型 Roller arm lever
	6106 : 彈簧感觸棒多方向型 Spring lever
	6107 : 雙滾輪押扣型 Unidirectional roller plunger
②操動器型式 Actuator	6111 : 防油按鈕押扣型 Sealed plunger
	6112 : 防油單滾輪按鈕型 Sealed roller plunger
	6112R : 防油橫向單滾輪按鈕型 Sealed cross roller plunger
	6114 : 防油單滾輪押扣型 Sealed roller arm lever
	6117 : 防油雙滾輪押扣型 Sealed Unidirectional roller lever



● MJ1-6104



● MJ1-6114



● MJ1-6112R



● MJ1-6102



● MJ1-6106



● MJ1-6112



● MJ1-6117



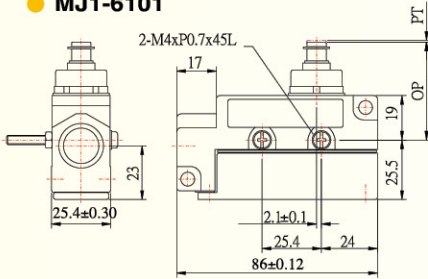
● MJ1-6102R

ORDER GUIDE

DIMENSIONS (mm)

OPERATING CHARACTERISTICS

● MJ1-6101

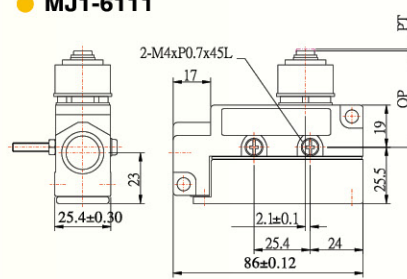


OF MAX	250g-450g
RF MIN	114g
PT MAX	0.8mm
OT MIN	5.5mm
DT MAX	0.05mm
OP	40.2 ± 0.8

DIMENSIONS (mm)

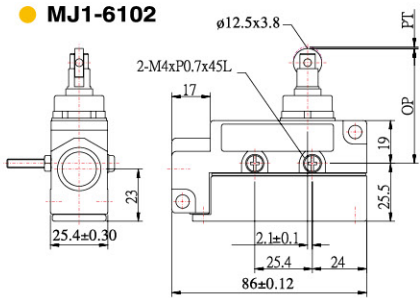
OPERATING CHARACTERISTICS

● MJ1-6111



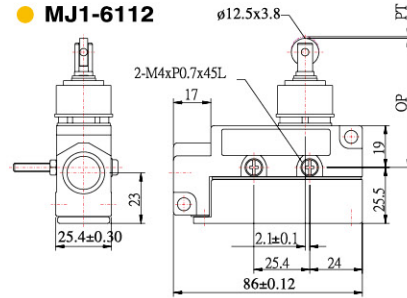
OF MAX	800g
RF MIN	240g
PT MAX	2mm
OT MIN	5mm
DT MAX	0.1mm
OP	50.5 ± 0.8

● MJ1-6102



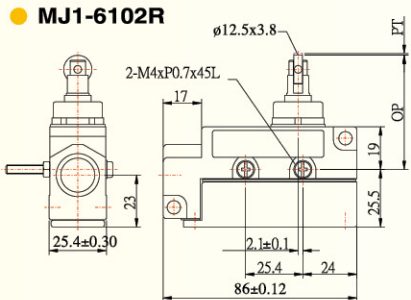
OF MAX	250g-450g
RF MIN	114g
PT MAX	0.8mm
OT MIN	3.6mm
DT MAX	0.05mm
OP	50.7 ± 0.8

● MJ1-6112



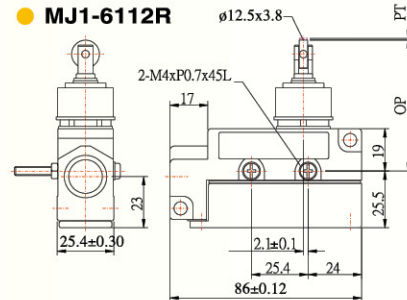
OF MAX	500g
RF MIN	100g
PT MAX	2mm
OT MIN	3.5mm
DT MAX	0.12mm
OP	49.7 ± 0.8

● MJ1-6102R



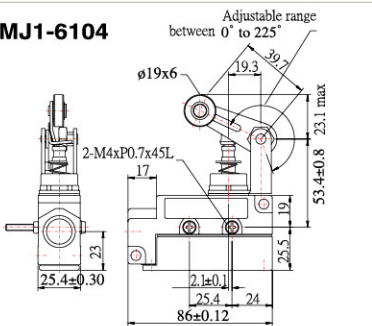
OF MAX	250g-450g
RF MIN	114g
PT MAX	0.8mm
OT MIN	3.6mm
DT MAX	0.05mm
OP	50.7 ± 0.8

● MJ1-6112R



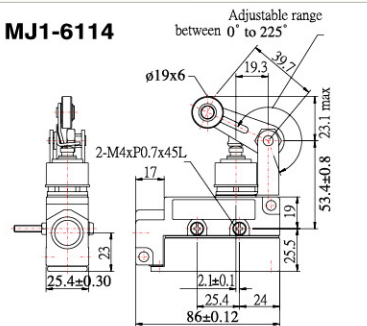
OF MAX	500g
RF MIN	100g
PT MAX	2mm
OT MIN	3.5mm
DT MAX	0.12mm
OP	49.7 ± 0.8

● MJ1-6104



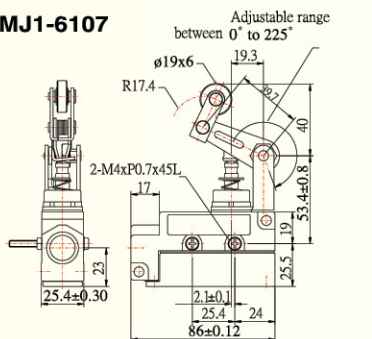
OF MAX	570g
RF MIN	170g
PT MAX	4mm
OT MIN	6mm
DT MAX	0.4mm

● MJ1-6114



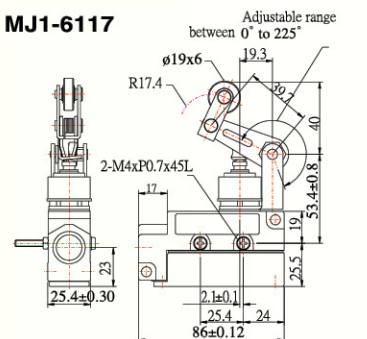
OF MAX	640g
RF MIN	230g
PT MAX	5mm
OT MIN	6mm
DT MAX	0.4mm

● MJ1-6107



OF MAX	600g
RF MIN	170g
PT MAX	5mm
OT MIN	5.5mm
DT MAX	0.72mm

● MJ1-6117



OF MAX	640g
RF MIN	230g
PT MAX	5mm
OT MIN	6mm
DT MAX	0.72mm