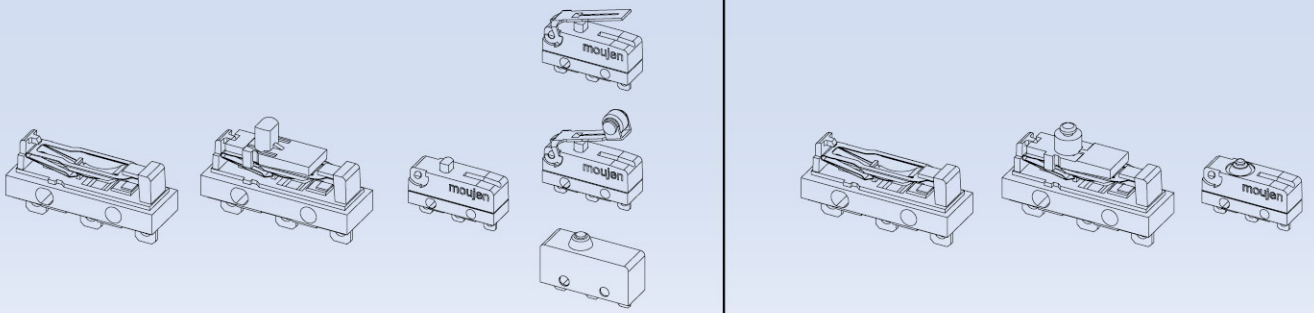


## ► MZ-7 SERIES Watertight Miniature Switches 超小型強制脫離微動開關



### ◆ FEATURES/功能

- MZ-7 Miniature Switch with positive opening operation. (IEC/EN 60947, UL508, VDE0660) / 強制脫離超小型開關。
- Ideal for use in machinery, control units and automation systems. / 適用於機器設備、控制元件、自動化系統。
- MZ-7 Miniature Switch features positive opening operation of NC contacts even when contacts are welded due to short-circuits or overload currents. / 常閉接點因短路或超載過電流而造成接點無法開路時，具有強制脫離的功能。
- Optional actuators available with plain lever or roller lever. / 可選用搖柄或搖輪柄。
- Protection degree is for contact are IP40, IP60 and IP67. / 三種IP保護等級IP40、IP60、IP67。
- With Silver or Gold or Cu+Ag contact material. / 銀接點(標準型)或金接點(特殊型)或銅鍍銀(特殊型)。

### ◆ CHARACTERISTICS/特性

Operating frequency	Mechanical	200 operations /min.
Contact material	Ag or Au	
Contact resistance	100mΩ max.	
Insulation resistance	100MΩ min. ( at 500 VDC)	
Dielectric strength	1000VAC, 50/60 Hz for 1 minute between terminals of the same polarity.	
Ambient operating temperature	-25°C to +80°C	
Ambient operating Humidity	85% ~ 100% RH max.	
Service life	Mechanical	500,000 operations min
Degree of protection	IP40, IP60 & IP67	



