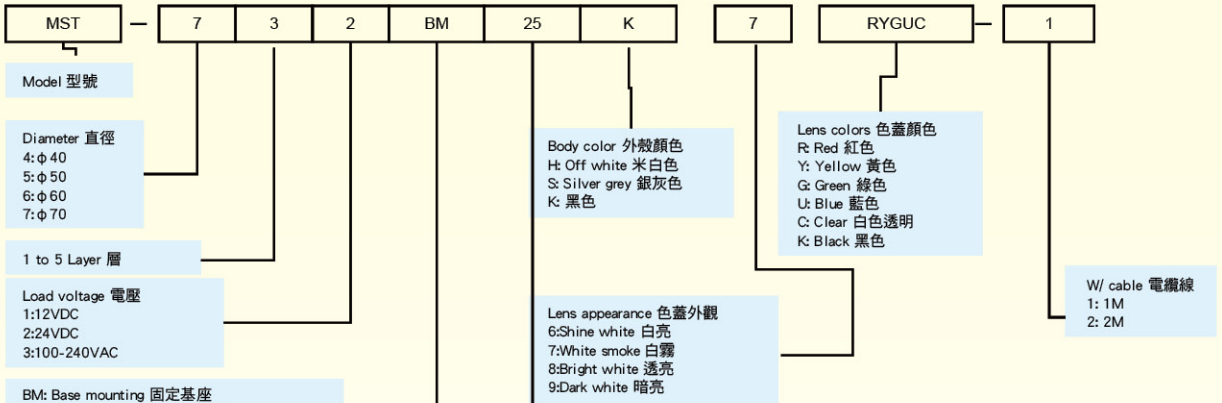


MST SERIES Signal Tower 多層警示燈



Order guide 產品訂購編號



- 06: Buzzer 蜂鳴器
- 10: Blinking/Perm. 點滅 / 恆亮 LED
- 25B/Per. LED + Buzzer 點滅 / 恆亮 LED+ 蜂鳴器
- 30: Dual flash 雙閃爍 LED
- 35: Dual flash + Buzzer 雙閃爍 LED + 蜂鳴器
- 40: Rotary LED 旋轉 LED
- 45: Rotary LED + Buzzer 旋轉 LED + 蜂鳴器

Rated Load Voltage 電壓		12Vdc	24Vdc	100-240Vac
LED Unit LED 燈組件	Diameter 直徑	70mm		
	Current consumption 消耗電流	-----	<50mA	<40mA
	Protection rating 保護等級	IP65		
Buzzer Unit 蜂鳴器	Diameter 直徑	70mm		
	Current consumption 消耗電流	-----	<50mA	<30mA
	Protection rating 保護等級	IP65		

Options 選用配備說明



1. Cap 上蓋
2. LED Unit (Yellow) 黃色 LED 燈組件
3. LED Unit (Red) 紅色 LED 燈組件
4. LED Unit (Green) 綠色 LED 燈組件
5. LED Unit (Clear) 白色 LED 燈組件
6. LED Unit (Blue) 藍色 LED 燈組件
7. Buzzer Unit 蜂鳴器
8. Terminal base 端子固定基座
9. L type fixture L 型固定架
10. Pole w/ direct set 支撐桿直接座
11. Pole stand (long) 塑膠長支撐桿座
12. Disc fixture 盤式固定座
13. Pole w/ adaptor 支撐桿 + 轉接座
14. Pole 300mm 支撐桿 30 公分長
15. Pole 200mm 支撐桿 20 公分長
16. Pole 100mm 支撐桿 10 公分長
17. Plastic stand (short) 塑膠短支撐座
18. Metal stand 金屬支撐座
19. Pole w/ L bracket 支撐桿 +L 型架



Optional parts 選用組件

Shape 形狀	Type 型式	Description 說明	Shape 形狀	Type 型式	Description 說明
	MST-712BM1009R	LED Unit (Red), Shine bright Permanent/ Blinking, 24Vdc 暗亮LED紅燈 恆亮/ 點滅型		MST-700LB0009K	L bracket for base 側出安裝選用L型腳架
	MST-712BM1009Y	LED Unit (Yel.), Shine bright Permanent/ Blinking, 24Vdc 暗亮LED黃燈 恆亮/ 點滅型		MST-700PM0010K	Short pole stand Plastic 塑膠短支撐座
	MST-712BM1009G	LED Unit (Green), Shine bright Permanent/ Blinking, 24Vdc 暗亮LED綠燈 恆亮/ 點滅型		MST-700PM0020K	Long pole stand Plastic 塑膠長支撐座
	MST-712BM1009U	LED Unit (Blue), Shine bright Permanent/ Blinking, 24Vdc 暗亮LED藍燈 恆亮/ 點滅型		MST-700PM0030K	Metal pole stand Aluminum alloy 金屬支撐座
	MST-712BM1009C	LED Unit (Clear), Shine bright Permanent/ Blinking, 24Vdc 暗亮LED白燈 恆亮/ 點滅型		MST-700PL0010K	L bracket for pole stand Plastic 支撐座型側出安裝腳架
	MST-712BM3009R	LED Unit (Red), Dark light Dual flash, 24Vdc 暗亮LED紅燈 快閃/ 慢閃型		MST-700DM00K00	Disc fixture Plastic 盤式固定座
	MST-712BM3009Y	LED Unit (Yellow), Dark light Dual flash, 24Vdc 暗亮LED黃燈 快閃/ 慢閃型		MST-700PA0010C	Pole adaptor M22*P1.5 For panel mounting 支撐型連接座
	MST-712BM3009G	LED Unit (Green), Dark light Dual flash, 24Vdc 暗亮LED綠燈 快閃/ 慢閃型		MST-700PD0010C	Pole direct mounting M22*P1.5 支撐桿直接安裝型
	MST-712BM3009U	LED Unit (Blue), Dark light Dual flash, 24Vdc 暗亮LED藍燈 快閃/ 慢閃型		MST-700407100C	Pole 100mm Aluminum pole 支撐鋁管
	MST-712BM3009C	LED Unit (Clear), Dark light Dual flash/ 24Vdc 暗亮LED白燈 快閃/ 慢閃型		MST-700407200C	Pole 200mm Aluminum pole 支撐鋁管
	MST-712BM0600K	Buzzer 2.8kHz, 102dB/ 0.9kHz, 96dB 蜂鳴器		MST-700407300C	Pole 300mm Aluminum pole 支撐鋁管
	MST-700BM1000K	Cap Plastic LED燈組件上蓋		MST-700418500K	Pole stand gasket For Pole type & Disc type 使用於支撐型或盤式基座迫緊
	MST-700BM00K00	Terminal base For base mounting 固定基座		MST-712020000K	Base gasket For Base mounting 固定基座迫緊
	MST-700BM00K01	Terminal base w/1M cable For base mounting 固定基座+1M電纜		MST-712PL00K00	Cable gland Plastic, M16*P1.5 電纜固定頭
	MST-700BM00K02	Terminal base w/2M cable For base mounting 固定基座+2M電纜			

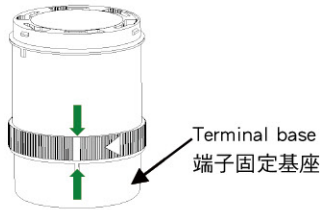
Assembling & Disassembling 組裝與拆解



Shut off power to equip before assembling and disassembling.
組裝或拆解前請先關畢電源。

★ LED Unit /Buzzer unit assembling: 燈組 / 蜂鳴器組裝

STEP 1
步驟 1



The white line mark of LED unit/Buzzer unit is aligned to the white line mark of terminal base.

LED 組件 / 蜂鳴器組件的白色標線對準固定基座的白色標線。

STEP 2
步驟 2



Turn the LED unit/Buzzer unit clockwise, until the triangle mark is aligned to the white line mark of terminal base.

順時針方向旋緊 LED 組件 / 蜂鳴器組件至三角形標示對準固定基座的白色標線為止。

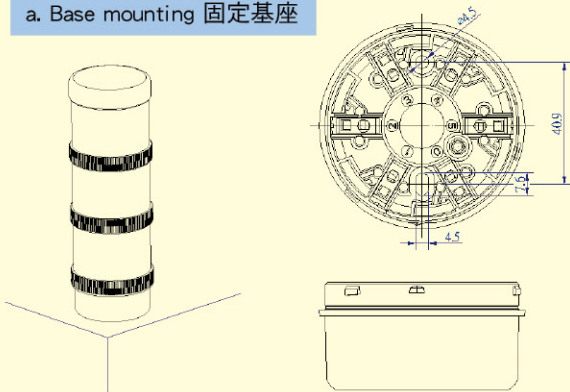
★ LED Unit /Buzzer unit disassembling: 燈組 / 蜂鳴器拆解

Counterclockwise the LED unit/Buzzer unit, until the white line mark is aligned to the white line mark of terminal base, then disassembling the unit.

反時針方向旋轉 LED 組件 / 蜂鳴器組件，直到白色標線對準固定基座白色標線。

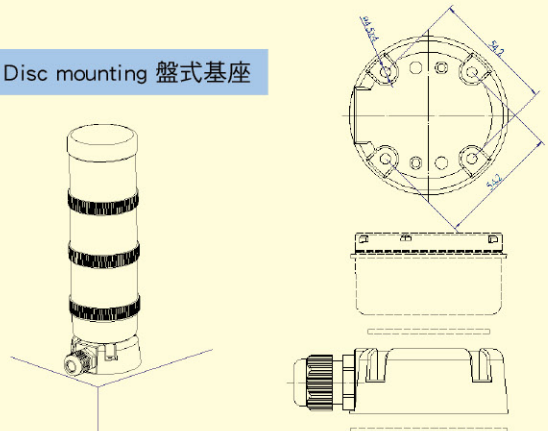
Dimensions 尺寸圖

a. Base mounting 固定基座



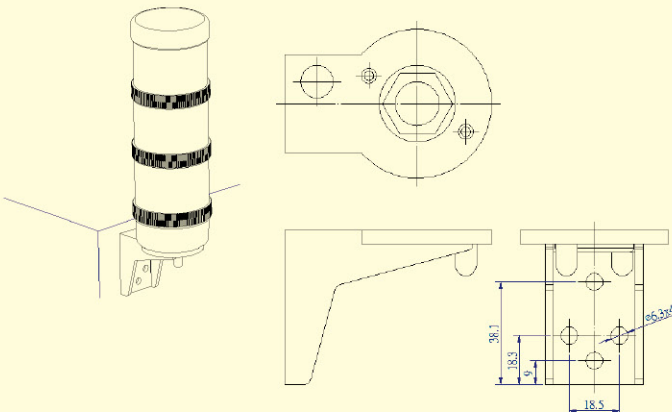
MST-700BM00K00 Terminal base

b. Disc mounting 盤式基座



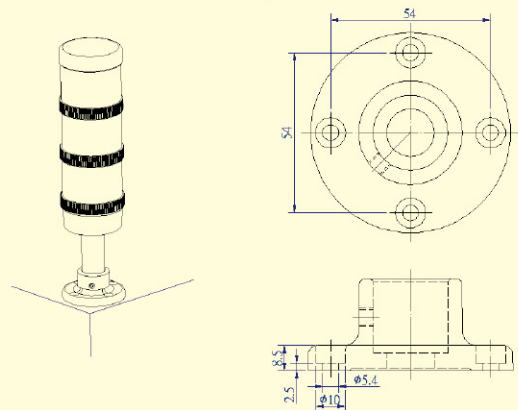
MST-700DM00K00 Disc base

c. Base with L bracket mounting 固定基座 + L 型架



MST-700LB0009K L type bracket

d. Pole mounting 支撐桿型

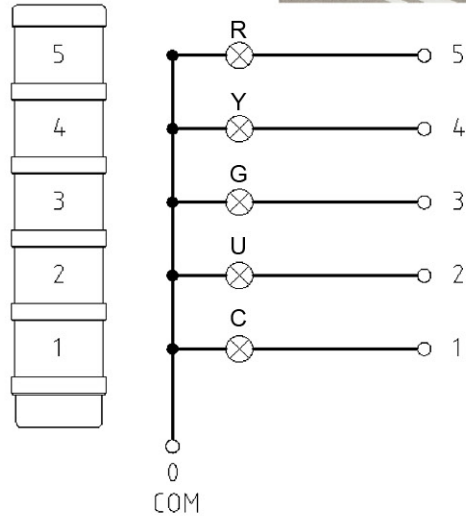
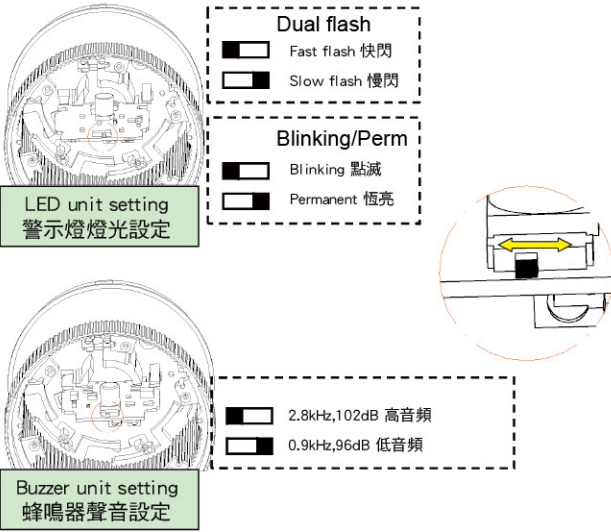


MST-700PM0030K Metal stand



LED unit /Buzzer unit setting 設定

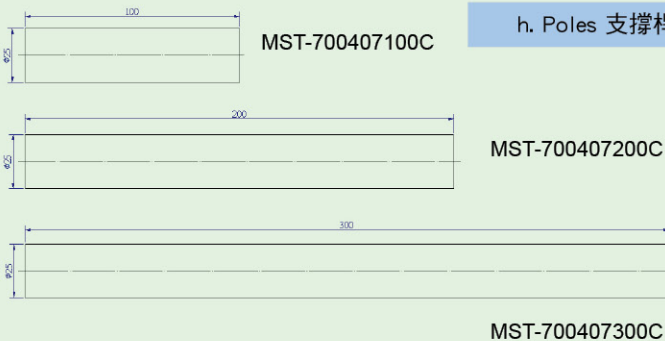
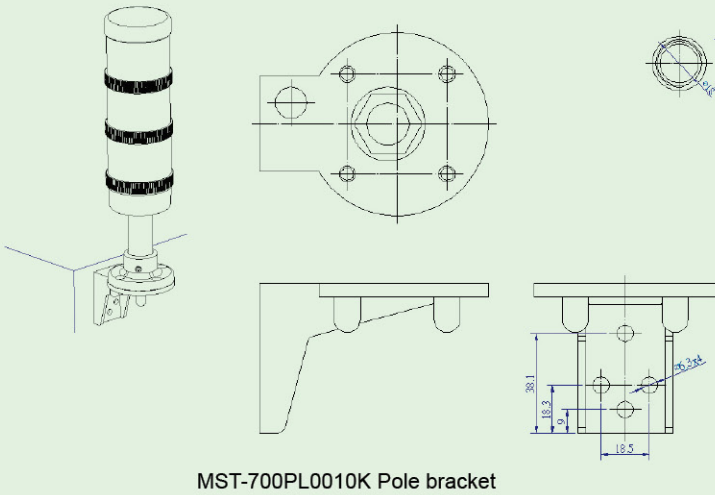
Wiring 接線



Dimensions 尺寸圖

e. Pole with L bracket mounting 支撐桿 +L 型架

f. Pole with direct mounting 支撐桿直接座



g. Pole with adaptor mounting 支撐桿轉接座

