

▶ MJ SERIES

PRECISION OIL-TIGHT LIMIT SWITCHES

◆ FEATURES/功能

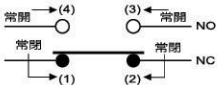
- Wide choice of heads and actuators. / 可配合各種不同之連桿及頭
- Variety of operating characteristics. / 具多種使用特性曲線
- Captive cover screws. / 接線頭具帽式覆蓋螺絲
- Dustproof, Oil-Tight, Water-Resistant. / 防塵、防油、防水
- Stainless steel essentials. / 不鏽鋼主零件
- Standard size & dimensions, 1/2" conduit entry. / 規格及尺寸標準化
- Temperature range +15°F to +175°F (-10°C to +80°C). / 適用溫度
- PF 1/2"

All oil-tight limit switches are 2 circuits limit switches. 1 NO and 1 NC circuits
The 1 NO and 1 NC contact arrangement is double break isolated.
所有密封式限制開關都是雙迴路限制開關，1NO (常開) 與 1NC (常閉) 迴路，
各迴路接點俱為兩段式絕緣。

◆ RATING/額定

| | |
|-------|---------------------------|
| 10A | 125 or 300V AC(resistive) |
| 0.8A | 125 V DC (resistive) |
| 0.4A | 250 V DC |
| 1/2HP | 125 V AC |
| 1HP | 250 V AC |

◆ CIRCUITRY/電氣回路



◆ CHARACTERISTICS/特性

| | |
|-------------------------------|--|
| Operating speed | 1mm to 2m/sec |
| Operating frequency | Mechanically: 120 operations/min. Electrically: 30 operations/min. |
| Contact resistance | 15m Ω max. (initial) |
| Insulation resistance | 100M Ω min. (at 500 VDC) |
| Dielectric strength | 1,000 VAC, 50/60 Hz for 1 minute between non-continuous terminals 2,200 VAC, 50/60 Hz for 1 minute between each terminal and non-current-carrying metal part and between each terminal and ground |
| Vibration | Malfunction durability: 10 to 55Hz 1.5mm double amplitude |
| Shock | Mechanical durability: Approx. 1,000m/sec ² (approx. 100G's) Malfunction durability: Approx. 300m/sec ² (approx. 30 G's) |
| Ambient operating temperature | Operating: -10°C to + 80°C |
| Humidity | 95% RH max |
| Service life | Mechanically: 15,000,000 operations min Electrically:(2.5A, 110VAC)MAX 500,000 operations min. |
| Degree of protection | IEC 529 class IP65 (Sealed accessories requirement) |



● MJ-7102R



● MJ-7102



● MJ-7103



● MJ-7104

PF 1/2"



● MJ-7104
● MJ-7204

◆ ORDER GUIDE

- Standard type ~ 2 screws: 標準型

| | | | | | | | | | |
|---------|---------|----------|---------|---------|---------|----------|---------|---------|---------|
| MJ-7101 | MJ-7102 | MJ-7102R | MJ-7103 | MJ-7104 | MJ-7106 | MJ-7126 | MJ-3241 | MJ-3242 | MJ-3243 |
| MJ-3244 | MJ-7107 | MJ-7107L | MJ-7108 | MJ-7204 | MJ-7207 | MJ-7207L | MJ-7208 | MJ-7000 | |

- Plastic roller type (Custom made): 塑膠滾輪 (訂製品)

MJ-7104-P | MJ-7204-P | MJ-7108-P | MJ-7208-P

- Ø50mm rubber's roller type (Custom made): 50mm橡膠滾輪 (訂製品)

MJ-7104-26 | MJ-7204-26 | MJ-7108-26 | MJ-7208-26

- Metal roller type (Custom made): 金屬滾輪 (訂製品)

MJ-3241-M | MJ-3242-M | MJ-3243-M | MJ-3244-M



● MJ-7101



● MJ-7104-26
● MJ-7204-26



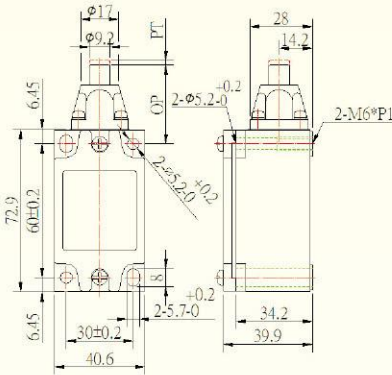
● MJ-7106



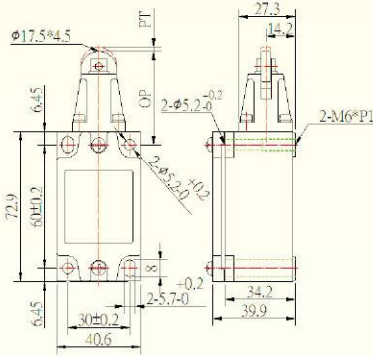
● MJ-7126

ORDER GUIDE

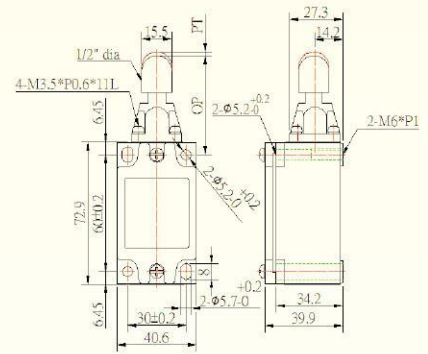
● MJ-7101



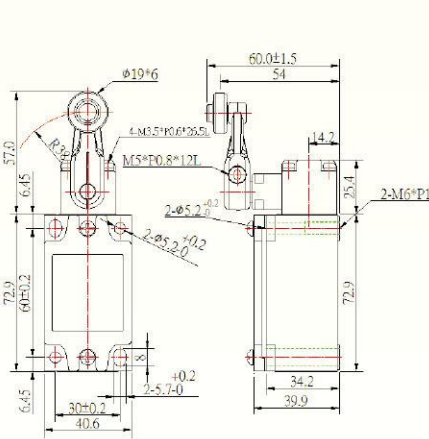
● MJ-7102



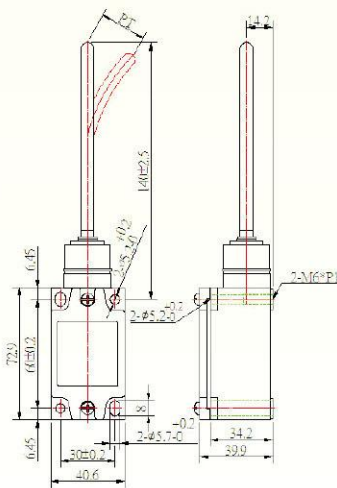
● MJ-7103



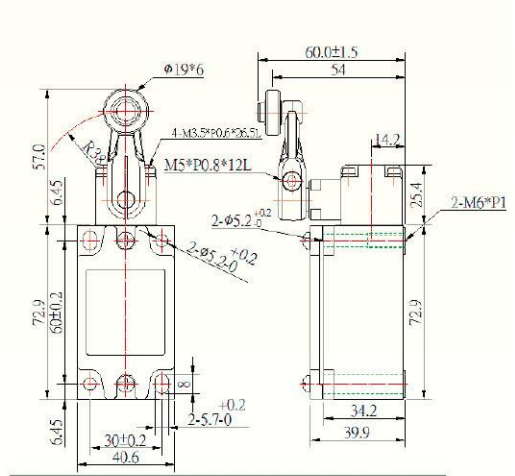
● MJ-7104



● MJ-7106



● MJ-7204



OPERATING CHARACTERISTICS

| | MJ-7101 |
|--------|----------------------|
| OF MAX | 2800g |
| RF MIN | 900g |
| PT MAX | 2mm —.070 in. |
| OT MIN | 5.5mm —.200 in. Max. |
| DT MAX | 1.0 mm —.040 in. |
| OP | 34 ± 0.8 |

| | MJ-7102 |
|--------|----------------------|
| OF MAX | 2800g |
| RF MIN | 900g |
| PT MAX | 2mm —.070 in. |
| OT MIN | 5.5mm —.200 in. Max. |
| DT MAX | 1.0 mm —.040 in. |
| OP | 44 ± 0.8 |

| | MJ-7103 |
|--------|--------------------|
| OF MAX | 2800g |
| RF MIN | 900g |
| PT MAX | 2mm —.070 in. |
| OT MIN | 4mm —.157 in. Max. |
| DT MAX | 1.0 mm —.040 in. |
| OP | 44.5 ± 0.8 |

| | MJ-7104 |
|--------|-------------------------|
| OF MAX | 1400g |
| RF MIN | 227g |
| PT MAX | 15° to 20° |
| OT MIN | Min, 25° |
| DT MAX | Max, 12° |
| | TF: Max 2720g-4 in lbs. |
| | TT: Min. 43° |

| | MJ-7106 |
|--------|---------|
| OF MAX | 150g |
| RF MIN | - |
| PT MAX | 30° |
| OT MIN | |
| DT MAX | |

| | MJ-7204 |
|--------|---------------|
| OF MAX | 900g |
| RF MIN | 50g |
| PT MAX | 25° to 30° |
| OT MIN | 60° |
| DT MAX | 16° |
| | TT: 90° + 10° |

► MJ SERIES PRECISION OIL-TIGHT LIMIT SWITCHES

◆ OVERTRAVEL TYPE

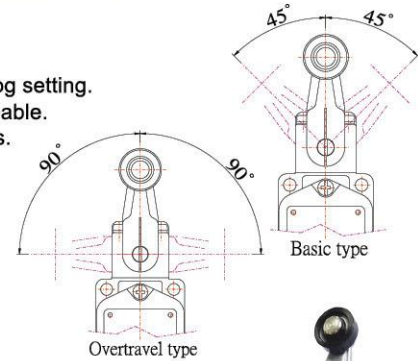
The Overtravel Type is a limit switch which is provided with a greater OT to facilitate dog setting. Since this type is identical to the Basic Type in dimension, both types are interchangeable. The Overtravel Type is classified into two versions - 71 series and - 72 series.

-71 \ SERIES

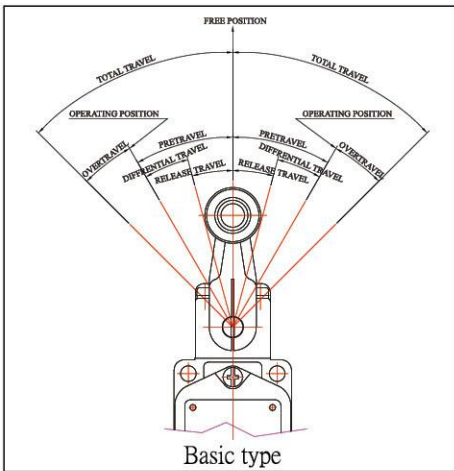
The head of -71 series switch can be installed in any of the four directions: 45° operation on either side - possible

-72 \ SERIES

The head of -72 series switch can be installed only in two directions, forward and backward: 90° operation on either side - possible

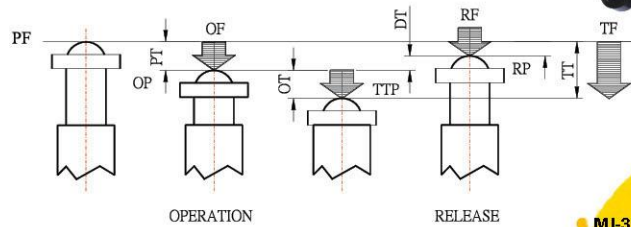


◆ ROTARY ACTUATION



Basic type

◆ IN-LINE PLUNGER ACTUATION



● MJ-3243

Characteristics: OF-Operating Force; PT-Pretravel; OT-Over Travel; DT-Differential Travel
RF-Release Force; OP-Operation Position; TF-Travel Force; RP-Release Position; TT-Total Travel

◆ REMARK

● MJ-7107L, MJ-7207L → 407mm long stick: 407mm 長柄

New Switches 2017年新開關



● MJ-7001N

● MJ-7108-26
● MJ-7208-26



● MJ-7108-P
● MJ-7208-P



● MJ-3244



● MJ-3241



● MJ-3242-M



● MJ-7107
● MJ-7207



● MJ-3242

● MJ-7108
● MJ-7208



● MJ-7107L
● MJ-7207L



